

All rights reserved by **CNH Industrial**.

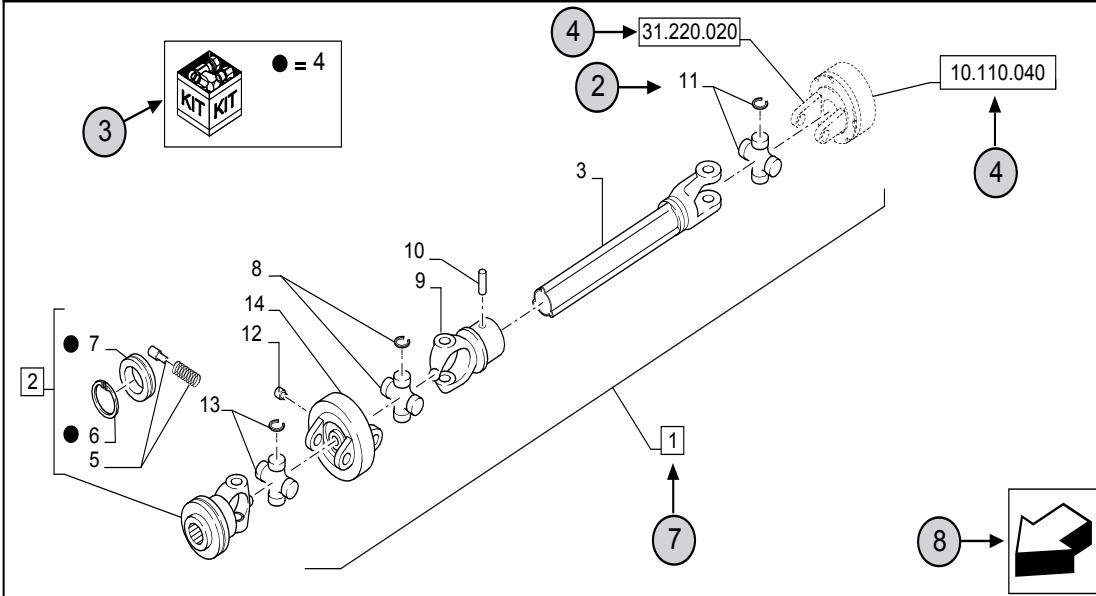
The information contained in this catalogue is intended to be of a general nature only. **CNH Industrial** may at any time and from time to time, for technical or other necessary reasons, modify any of the details or specifications of the product described in this catalogue.

To be sure of getting accurate, detailed and up-to-date information, an intending buyer should consult his nearest **CNH Industrial** dealer or distributor.

Single item numeration method used in this catalogue may not be used without written consent from **CNH Industrial**

31.220.010	01	p1	10/2014
------------	----	----	---------

VAR - 123782, 789101,987654 - PTO - D650



STANDARD ← (6)


(23)	(9)	(10)	31.220.010	01	p1	10/2014
------	-----	------	------------	----	----	---------

VAR - 123782, 789101,987654 - PTO - D650

(11) (12) (13) (14)

REF	FN	PART NUMBER	YR/SN	QTY	DESCRIPTION
1	1	86529340	(20)	1	SHAFT PTO, Incl 2 - 11
2	(15)	84014007		1	YOKE, Incl 4 - 7 ← (7)
3	(16)	NSS		1	NOT SERVICED SEPARATELY, SHAFT, 350mm, Incl in 1
4		84004292		1	KIT, Seal Kit, Incl 6, 7 (17)
4		{84058743}		1	KIT, Seal Kit, Incl 6, 7
(2)	(18)	(19)	(21)	(22)	
		1 = FOR ITALY ONLY ← (5)			

MODELS ← (1)

- 1 Model Number and Model Description
- 2 Reference - Figure call-out of the part number.
- 3 Parts supplied in repair kits per symbol reference.
- 4 31.220.020 Part illustrated on the **Page** or in the **Figure** indicated, or calls for **Variations** or **Details**. Indicates components shown in detail elsewhere in the catalogue under the figure number shown.
- 5 Footnote references
- 6 Figure notes
- 7 1 2 Includes item(s) ..... (See Description within partlist).
- 8 Orientation. (Arrow indicates front of the machine). 
- 9 Figure description.
- 10 General information of the figure.
- 11 Figure title number that aligns with the SRT. Standard Repair Time.
- 12 **Sequence** code within the assembly.
- 13 Page number within the sequence code.
- 14 **Date** of printing or updating of page (month-year).
- 15 **Note** - Relating to the Part Number. There is a key to symbols and abbreviations at the bottom of the text page.
- 16 Non-serviced parts.
- 17 Further description of the part to help confirm identification.
- 18 Not available as service part.
- 19 Part Number.
- 20 To be defined.
- 21 Total **Quantity** of the Part referred to in the page.  
The quantity can be replaced by the following indications:  
**AR** = quantity as requested.
- 22 Part **Description**.
- 23 Variant Codes

---

## TABLE OF CONTENTS

---

06A01		NON-EMISSIONIZED ENGINE ASSY., BLOCK & HEAD
06B01		NON-EMISSIONIZED ENGINE, CRANKSHAFT & FLYWHEEL
06C01		NON-EMISSIONIZED ENGINE, CAMSHAFT & VALVES
06D01		NON-EMISSIONIZED ENGINE, OIL PUMP & OIL PAN
06E01		NON-EMISSIONIZED ENGINE, INTAKE & EXHAUST
06E02		NON-EMISSIONIZED ENGINE, TURBOCHARGER SYSTEM
06F01		NON-EMISSIONIZED ENGINE, TURBOCHARGER COMPONENTS
06G01		NON-EMISSIONIZED ENGINE, PISTONS
06H01		NON-EMISSIONIZED, GASKET KITS
06H02		NON-EMISSIONIZED & EMISSIONIZED ENGINE, HORIZONTAL EXHAUST
06J01	01	NON-EMISSIONIZED ENGINE, ASSEMBLY & GASKET KITS
06J01	02	EMISSIONIZED ENGINE ASSEMBLY AND GASKET KITS
06K01		EMISSIONIZED ENGINE, BLOCK ASSEMBLY
06K02		EMISSIONIZED ENGINE, BLOCK ASSEMBLY
06L01		EMISSIONIZED ENGINE, OIL PAN AND RELATED PARTS
06M01		EMISSIONIZED ENGINE, ENGINE COVERS
06M02		EMISSIONIZED ENGINE, TIMING GEAR COVER
06N01		EMISSIONIZED ENGINE, CYLINDER HEAD ASSEMBLY
06N02		EMISSIONIZED ENGINE, VALVE COVER (OLD STYLE)
06N03		EMISSIONIZED ENGINE, ROCKER ARM & VALVES
06N04		EMISSIONIZED ENGINE, CYLINDER HEAD, VALVE
06N05		EMISSIONIZED ENGINE, CRANKCASE BREATHER (NEW STYLE)
06P01		EMISSIONIZED ENGINE, TURBOCHARGER SYSTEM
06P02		EMISSIONIZED ENGINE, TURBOCHARGER COMPONENTS
06P03		EMISSIONIZED ENGINE, MUFFLER, NATURALLY ASPIRATED
06Q01		EMISSIONIZED ENGINE, CRANKSHAFT
06R01		EMISSIONIZED ENGINE, PISTON & CONNECTING ROD
06R02		EMISSIONIZED ENGINE, PISTON & CONNECTING ROD
06S01		EMISSIONIZED ENGINE, DAMPENER & FLYWHEEL
06S02		EMISSIONIZED ENGINE, DAMPENER GEARS
06T01		EMISSIONIZED ENGINE, DRIVE-GEARING & PUSHRODS
06U01		EMISSIONIZED ENGINE, OIL FILTER
06V01		EMISSIONIZED ENGINE, OIL PUMP & DIPSTICK
06X01		EMISSIONIZED ENGINE, ALTERNATOR
06Y01		EMISSIONIZED ENGINE, PUMP INJECTION
09A01		FUEL SYSTEM, NON-EMISSIONIZED ENGINES

---

## TABLE OF CONTENTS

---

09A01	A	FUEL SYSTEM, EMISSIONIZED ENGINES
09A02		AUXILIARY FUEL TANK
09B01		FUEL INJECTION PUMP, UPPER, NON-EMISSIONIZED
09B02		FUEL INJECTION PUMP, LOWER, NON-EMISSIONIZED
09B03		FUEL INJECTOR ASSEMBLY - NON-EMISSIONIZED
09C01		FUEL SYSTEM INJECTION PUMP, EMISSIONIZED
09D01		PRECLEANER ASSEMBLY & AIR TUBES (AIR MAZE & DONALDSON)
09D02		AIR CLEANER ASSEMBLY
09D03		AIR CLEANER ASSEMBLY, STEEL CASE
09D04		AIR CLEANER ASSEMBLY, PLASTIC CASE, (DONALDSON)
09D05		AIR CLEANER ASSEMBLY, WET, THAILAND & CHINA
09E01		FUEL FILTER ASSEMBLY
09E02		FUEL FILTER WITH ELECTRIC LIFT PUMP
09E03		FUEL SYSTEM, WATER SEPARATOR, BSN.311145M (5610S), 362512M (6610S), 258570M (7610S)
09E04		FUEL SYSTEM, WATER SEPARATOR, ASN.311146M (5610S), 362513M (6610S), 259016M (7610S)
09E05		FUEL SYSTEM, ADDITIONAL WATER SEPARATOR, ASN.311146M (5610S), 362513M (6610S), 259016M (7610S)
09F01		THROTTLE CONTROL
07A01		TRANSMISSION CASE & SHIFT LEVERS
07A02		TRANSMISSION GEARS
07A03		TRANSMISSION DUAL POWER ASSEMBLY
07B01		TRANSMISSION OIL COOLING SYSTEM
07C01		TRANSMISSION PTO, SINGLE SPEED, SHAFT & GEARS 540, L/FWD,N.A., BSN 302005M, R.O.W. BSN ZX251323
07C01	A	TRANSMISSION PTO, SINGLE SPEED, SHAFT & GEARS 540, N.A., ASN 302006M, R.O.W. ASN ZX251324
07C02		TRANSMISSION PTO, 2-SPEED, SHAFT & GEARS (540/1000)
07C03		TRANSMISSION PTO GUARD
07D01		TRANSMISSION CLUTCH CONTROLS
07E01		TRANSMISSION CLUTCH ASSEMBLY
07E02		TRANSMISSION CLUTCH & VALVE ASSEMBLY, PTO
07E03		KIT - PTO VALVE ASSY.
07F01		TRANSMISSION CREEPER GEAR, 8 X 2 OR 16 X 4
08A01		RADIATOR & RELATED PARTS
08B01		WATER PUMP & RELATED PARTS, NON-EMISSIONIZED ENGINE
08C01		WATER PUMP, FAN AND FAN BELT
08C02		WATER PUMP AND THERMOSTAT HOUSING, EMISSIONIZED ENGINE
08C03		WATER PUMP COMPONENTS, EMISSIONIZED ENGINE

---

## TABLE OF CONTENTS

---

04A01		REAR AXLE DIFFERENTIAL & RELATED PARTS
04A02		REAR AXLE MUDDER (DROP TRUMPET)
04B01		REAR AXLE DIFFERENTIAL LOCK CONTROLS
04C01		REAR AXLE, CENTER HOUSING & RELATED PARTS
02A01		BRAKES & BRAKE CONTROLS
02B01		PARKING BRAKE, HANDBRAKE
11A01		ELECTRICAL WIRING HARNESS, MAIN FRONT, N.A.
11A02		ELECTRICAL WIRING HARNESS, MAIN FRONT, R.O.W.
11B01		ELECTRICAL WIRING HARNESS, MAIN REAR, N.A.
11B02		ELECTRICAL WIRING HARNESS, MAIN REAR, R.O.W.
11C01		HEADLAMP ASSEMBLY, N.A.
11C02		HEADLAMP ASSEMBLY, R.O.W.
11C03		HEADLAMP, SIDE MOUNTED, ROW
11D01		ELECTRICAL SWITCHES, BATTERY CABLES
11D02		REAR WIRING, W/STOP LAMPS & FLASHER, R.O.W.
11D03		FLASHER LAMP AND SWITCHES, N.A.
11E01		REAR LAMPS, STOP & FLASHER, R.O.W.
11E02		REAR LAMPS, STOP, SIDE & FLASHER, N.A.
11F01		BATTERY SUPPORT AND HEAT SHIELD
11G01		STARTER MOTOR DRIVE & RELAY ASSEMBLY
11H01		ALTERNATOR ASSEMBLY
11J01		WORK LIGHT, N.A.
11J02		PLOW LAMP ASSEMBLY
03A01	01	FRONT AXLE, SPINDLES, TIEROD & SUPPORT, BSN 5610S(310659M), 6610S(362004M), 7610S(258570M)
03A01	02	FRONT AXLE STEERING SYSTEM 2WD
03A02		FRONT AXLE POWER STEERING COLUMN 2WD/4WD, PUMP, CYLINDER & TUBES
03B01		FRONT AXLE STEERING COLUMN COMPONENTS
03B02		FRONT AXLE STEERING MOTOR, TRW
03B03		FRONT AXLE STEERING MOTOR, DANFOSS
03C01	01	FRONT AXLE, AXLE HOUSING, AXLE REF. # 124961
03C01	02	FRONT AXLE, AXLE HOUSING 4WD - AXLE REF. # 149749
03C02	01	FRONT AXLE, SWIVEL HOUSING & STEERING CYLINDER, AXLE REF. # 124961
03C02	02	FRONT AXLE SWIVEL HOUSING & STEER CYLINDER - AXLE REF. # 149749
03C03	01	FRONT AXLE, BEVEL GEAR/PINION SET, AXLE REF. # 124961
03C03	02	FRONT AXLE BEVEL GEAR / PINION SET - AXLE REF. # 149749
03C04	01	FRONT AXLE, LIMITED SLIP DIFFERENTIAL, AXLE REF. # 124961

---

## TABLE OF CONTENTS

---

03C04	02	FRONT AXLE LIMITSLIP DIFFERENTIAL - AXLE REF. # 149749
03C05	01	FRONT AXLE, DRIVE SHAFT, AXLE REF. # 124961
03C05	02	FRONT AXLE DRIVE SHAFT - AXLE REF. # 149749
03C06	01	FRONT AXLE, REDUCTION GEARS, AXLE REF. # 124961
03C06	02	FRONT AXLE REDUCTION GEARS - AXLE REF. # 149749
03C07		FRONT AXLE TRANSFER BOX
03C08		FRONT AXLE DRIVESHAFT & SHIELD
03D01		FRONT AXLE POWER STEERING CYLINDER COMPONENTS, BSN 5610S(310659M), 6610S(362004M), 7610S(258570M)
03D02		FRONT AXLE POWER STEERING CYLINDER COMPONENTS (2WD)
03D03		FRONT AXLE POWER STEERING PUMP & RESERVOIR ASSEMBLY
05A01		HYDRAULIC LIFT COVER & RELATED PARTS
05B01		HYDRAULIC LIFT SHAFT & RELATED PARTS
05C01		HYDRAULIC LIFT CYLINDER
05D01		HYDRAULIC LIFT LINKAGE
05D02		HYDRAULIC LIFT ASSIST CYLINDER
05D03		HYDRAULIC LIFT ASSIST CYLINDER DOUBLE
05E01		CHECK CHAINS
05F01		SWINGING DRAWBAR
05G01	01	DELUXE REMOTE HYDRAULIC CONTROL VALVE (NEW SYSTEM)
05G01	02	HYDRAULIC DELUXE REMOTE CONTROL VALVE (OLD SYSTEM)
05H01		HYDRAULIC CONTROL VALVE (BOSCH)
05H02		HYDRAULIC CONTROL VALVE (SOHIPREN)
05J01		HYDRAULIC UNLOAD VALVE ASSEMBLY
05K01		HYDRAULIC REMOTE COUPLER ASSEMBLY, SNAP-TITE
05L01		HYDRAULIC PUMP ASSEMBLY, TRANSMISSION MOUNTED
05L02		HYDRAULIC PUMP ASSY., TANDEM
05L03		TANDEM HYDRAULIC GEAR PUMP, MOUNTING PARTS
05L04		TANDEM HYDRAULIC GEAR PUMP 9.3 GALLONS, MOUNTING PARTS
05M01		HYDRAULIC PUMP ASSEMBLY, ENGINE MOUNTED
05M02		HYDRAULIC PUMP TUBING, ENGINE MOUNTED
05N01		TANDEM HYDRAULIC GEAR PUMP, MOUNTING PARTS
05N02		TANDEM HYDRAULIC GEAR PUMP
05N03		TANDEM HYDRAULIC PUMP PIPING
05P01		AUXILIARY HYDRAULIC SERVICE CONTROL VALVE, R.O.W.
05P02		PIPES HYDRAULIC PUMP AUXILIARY, ENGINE MOUNTED
14A01		FENDERS, PLATFORM, STEP & TOOL BOX

---

## TABLE OF CONTENTS

---

14A02		ENGINE HOOD & GRILLE
14A03		REFLECTORS
14A04		FENDER, FRONT, W/CARRARO AXLE
01A01		FRONT WHEEL ASSEMBLY, 2WD
01A02		FRONT WHEEL, 2WD
01A03		FRONT WHEEL, FWD
01B01		REAR WHEEL STANDARD
01B02		REAR WHEEL, 2WD / FWD
01C01		WEIGHTS, FRONT END WAFER (Jun 11 2009 1:33PM)
01C01		WEIGHTS, FRONT END WAFER (May 21 2009 9:26AM)
01D01		REAR WHEEL WEIGHTS
12A01		INSTRUMENT CLUSTER ASSEMBLY & RELATED PARTS
16A01		DECALS, IDENTIFICATION
16B01		DECALS, INSTRUCTION, WARNING AND PTO
16C01		DECALS, SAFETY AND WARNING
16D01		DECALS, SHIFT PATTERN, THROTTLE CONTROL AND HAZARD WARNING
16E01		DECALS, SERVICE
16F01		DECALS, SLOW MOVING VEHICLE
15A01		R.O.P.S., ROLLOVER PROTECTION SYSTEM
15A02	01	CANOPY, ASSY - METAL
15A02	02	CANOPY, ASSY - FIBERGLASS WAS REMOVED BY C-14039
13A01	01	SEAT ASSEMBLY, GRAMMER
13A01	02	SEAT ASSEMBLY, YAZAR
17A01		TOOL
17B01		ENGINE BLOCK HEATER





---

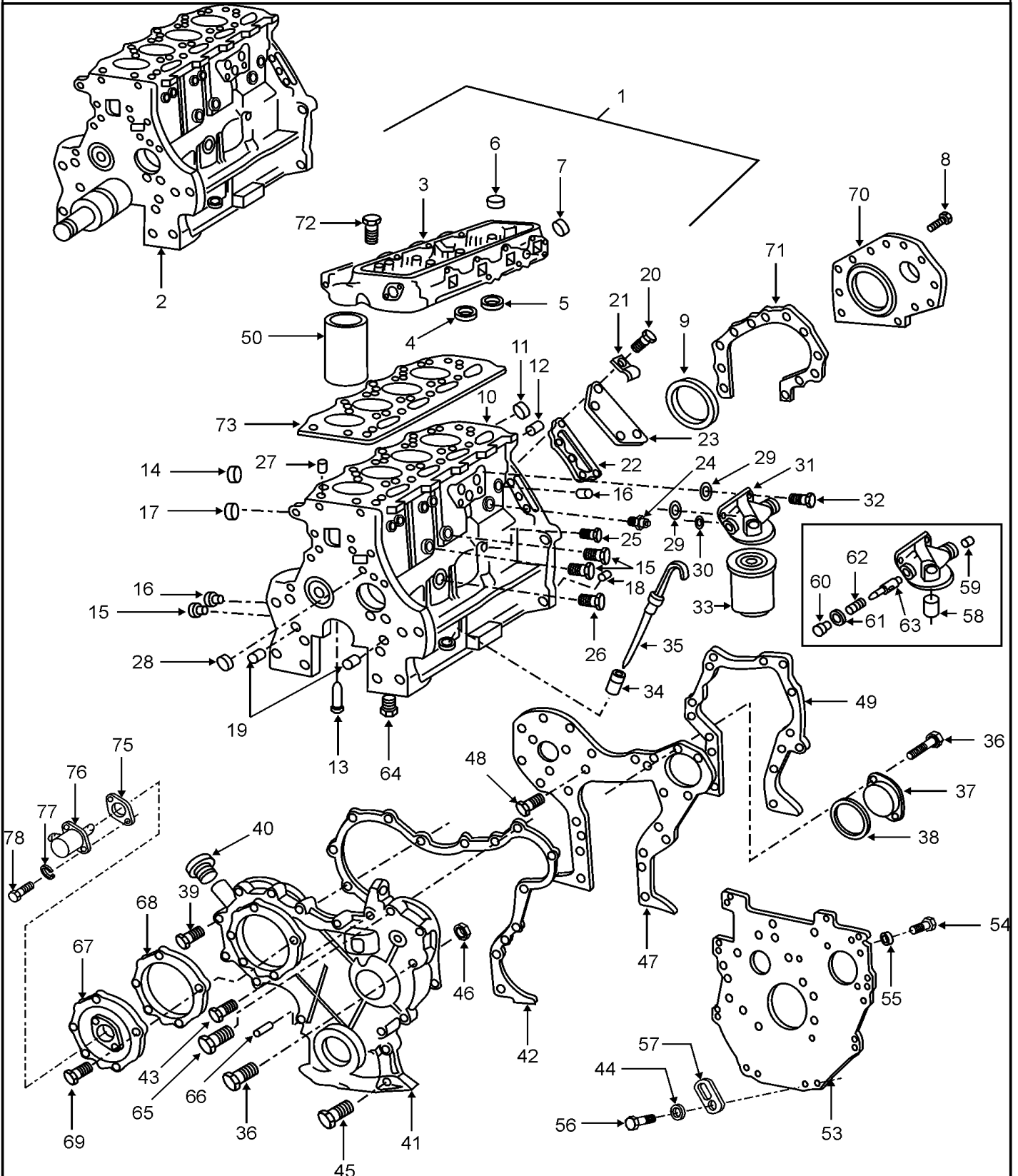
## SECTION INDEX

### ENGINE

---

06A01		NON-EMISSIONIZED ENGINE ASSY., BLOCK & HEAD
06B01		NON-EMISSIONIZED ENGINE, CRANKSHAFT & FLYWHEEL
06C01		NON-EMISSIONIZED ENGINE, CAMSHAFT & VALVES
06D01		NON-EMISSIONIZED ENGINE, OIL PUMP & OIL PAN
06E01		NON-EMISSIONIZED ENGINE, INTAKE & EXHAUST
06E02		NON-EMISSIONIZED ENGINE, TURBOCHARGER SYSTEM
06F01		NON-EMISSIONIZED ENGINE, TURBOCHARGER COMPONENTS
06G01		NON-EMISSIONIZED ENGINE, PISTONS
06H01		NON-EMISSIONIZED, GASKET KITS
06H02		NON-EMISSIONIZED & EMISSIONIZED ENGINE, HORIZONTAL EXHAUST
06J01	01	NON-EMISSIONIZED ENGINE, ASSEMBLY & GASKET KITS
06J01	02	EMISSIONIZED ENGINE ASSEMBLY AND GASKET KITS
06K01		EMISSIONIZED ENGINE, BLOCK ASSEMBLY
06K02		EMISSIONIZED ENGINE, BLOCK ASSEMBLY
06L01		EMISSIONIZED ENGINE, OIL PAN AND RELATED PARTS
06M01		EMISSIONIZED ENGINE, ENGINE COVERS
06M02		EMISSIONIZED ENGINE, TIMING GEAR COVER
06N01		EMISSIONIZED ENGINE, CYLINDER HEAD ASSEMBLY
06N02		EMISSIONIZED ENGINE, VALVE COVER (OLD STYLE)
06N03		EMISSIONIZED ENGINE, ROCKER ARM & VALVES
06N04		EMISSIONIZED ENGINE, CYLINDER HEAD, VALVE
06N05		EMISSIONIZED ENGINE, CRANKCASE BREATHER (NEW STYLE)
06P01		EMISSIONIZED ENGINE, TURBOCHARGER SYSTEM
06P02		EMISSIONIZED ENGINE, TURBOCHARGER COMPONENTS
06P03		EMISSIONIZED ENGINE, MUFFLER, NATURALLY ASPIRATED
06Q01		EMISSIONIZED ENGINE, CRANKSHAFT
06R01		EMISSIONIZED ENGINE, PISTON & CONNECTING ROD
06R02		EMISSIONIZED ENGINE, PISTON & CONNECTING ROD
06S01		EMISSIONIZED ENGINE, DAMPENER & FLYWHEEL
06S02		EMISSIONIZED ENGINE, DAMPENER GEARS
06T01		EMISSIONIZED ENGINE, DRIVE-GEARING & PUSHRODS
06U01		EMISSIONIZED ENGINE, OIL FILTER
06V01		EMISSIONIZED ENGINE, OIL PUMP & DIPSTICK
06X01		EMISSIONIZED ENGINE, ALTERNATOR
06Y01		EMISSIONIZED ENGINE, PUMP INJECTION

NON-EMISSIONIZED ENGINE ASSY., BLOCK & HEAD



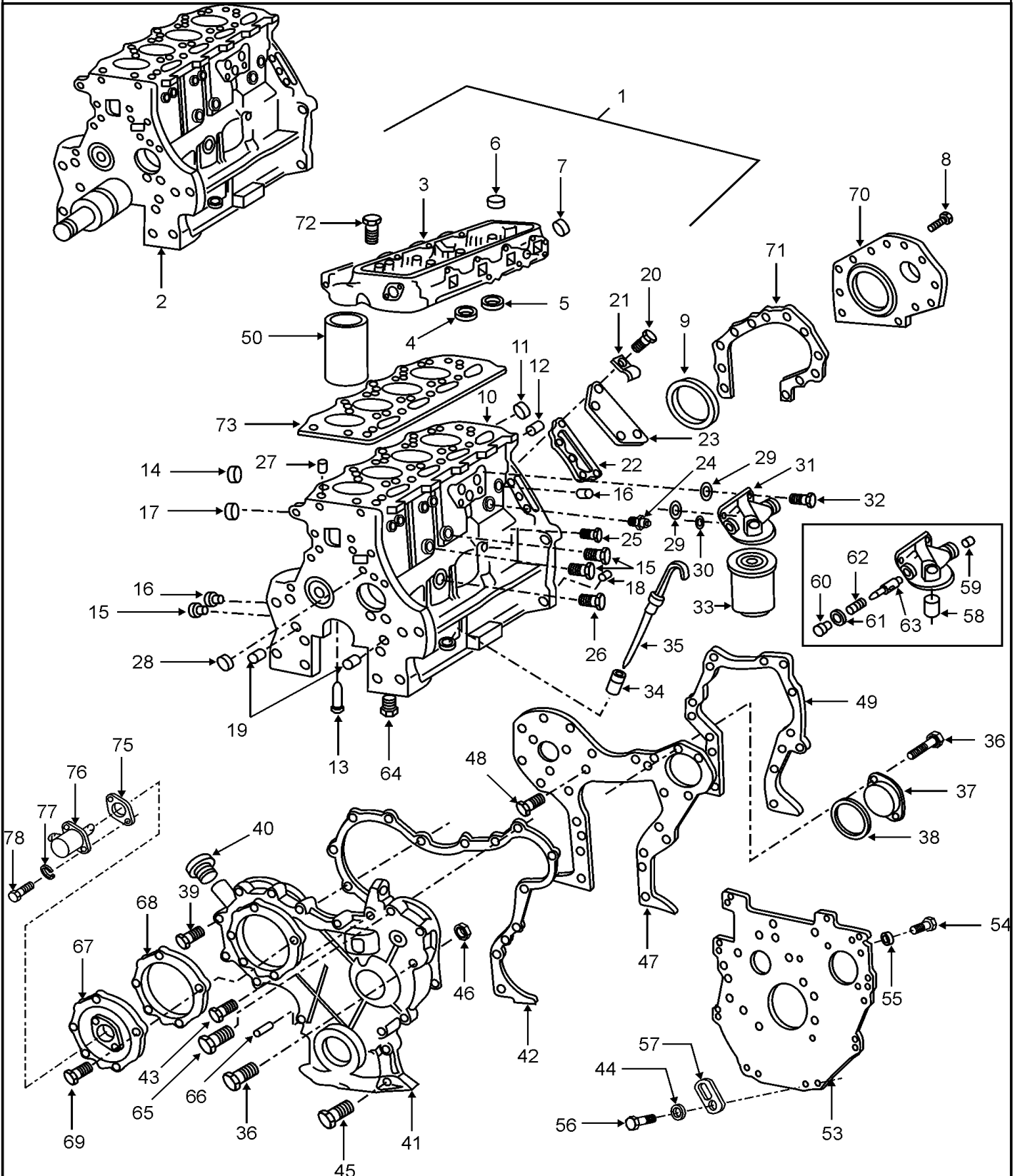
Emissionized engines were incorporated in production, for North American models, on and after the following serial numbers; 5610S (308716M), 6610S (359818M) and 7610S (255857M).

## NON-EMISSIONIZED ENGINE ASSY., BLOCK &amp; HEAD

REF FN	PART NUMBER	YR/SN	QTY DESCRIPTION
1	82850453		1 ENGINE Assy, Mechanical Fuel Shut-Off, 5610S
1	87801222		1 ENGINE Assy, Electrical Fuel Shut-Off, 5610S
1	87801222R		1 EXCHANGE ENGINE For N.A. only
1	87801222C		1 CORE-ENGINE Return number - For N.A. only
1	82850232		1 ENGINE Assy, Mechanical Fuel Shut-Off, 6610S
1	87801223		1 ENGINE Assy, Electrical Fuel Shut-Off, 6610S
1	87800784		1 ENGINE Assy, Electrical Fuel Shut-Off, Turbo, 7610S
2	E9NN6009BA		1 SHORT ENGINE Block, 5610S
2	84215894R		1 REMAN-SHORT ENGINE
2	84215894C		1 CORE-SHORT ENGINE Return Number, Block, 5610S, N.A. Only
2	E9NN6009CA		1 SHORT ENGINE Short Block, 6610S
2	84215895R		1 REMAN-SHORT ENGINE Short Block, 6610S
2	84215895C		1 CORE-SHORT ENGINE Return Number
2	83999187		1 SHORT ENGINE Block, Turbo, 7610S
2	83999187C		1 CORE-SHORT ENGINE Return Number, Block, Turbo, 7610S, N.A. Only
2	84215902R		1 REMAN-SHORT ENGINE Reman For PN 83999187
2	84215902C		1 CORE-SHORT ENGINE Return Number
3	84135236		1 CYLINDER HEAD Assy, Incl. Ref. 4 thru 7
	47978493R		1 REMAN-CYLINDER HEAD Reman Head Assy for 84135236
	47978493C		1 CORE-CYLINDER HEAD Return Number
4	81865194		4 INSERT Exhaust Valve Seat, Standard
4	81865195		AR INSERT Exhaust Valve Seat, .010" (.25 mm) O/S
4	81865196		AR INSERT Exhaust Valve Seat, .020" (.51 mm) O/S
4	F0NN6057EA		AR VALVE SEAT Insert, Exhaust, .030" (.76 mm) O/S

**5610S-4 CYL AG TRACTOR 6610S-4 CYL AG TRACTOR 6810S-4  
CYL AG TRACTOR (MEXICO ONLY) 7610S-4 CYL AG TRACTOR**

NON-EMISSIONIZED ENGINE ASSY., BLOCK & HEAD



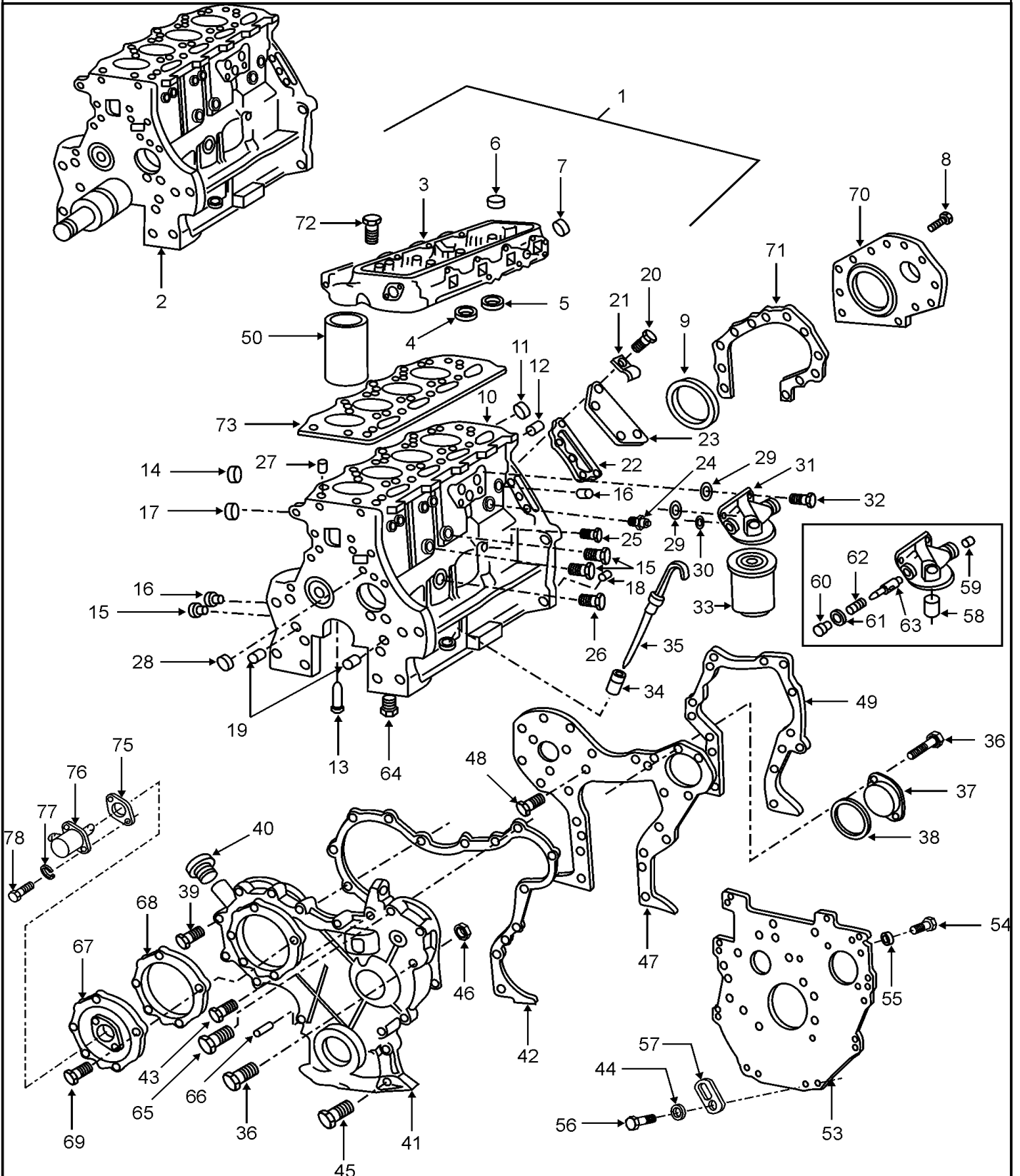
Emissionized engines were incorporated in production, for North American models, on and after the following serial numbers; 5610S (308716M), 6610S (359818M) and 7610S (255857M).

## NON-EMISSIONIZED ENGINE ASSY., BLOCK &amp; HEAD

REF FN	PART NUMBER	YR/SN	QTY DESCRIPTION
5	87803449		4 VALVE SEAT Intake Valve Seat, Standard
5	E9NN6E087BA		AR INSERT Intake Valve Seat, .010" (.25 mm) O/S
5	81876768		AR INSERT Intake Valve Seat, .020" (.51 mm) O/S
5	F0NN6E087AA		AR INSERT Intake Valve Seat, .030" (.76 mm) O/S
6	83957021		7 PLUG Cup, 1.13"
7	83957025		1 PLUG Cup, 1.75"
8	81876604		12 BOLT Hex Flg, 5/16" - 18 x 5/8" Cap, Flg Hd, G5, 5/16"-18 x .62"
9	83955247		1 SEAL 120.6mm ID x 141.12mm OD x 11.81mm Thk
10	87840579		1 CYLINDER BLOCK
11	83957025		1 PLUG Cup, 1-3/4"
12	F2NN6C057AA		1 PLUG SH, 1/2"-14 x .42"
13	81876966		4 LUBE OIL NOZZLE LUBE OIL JET NOZZLE Piston
14	83957023		2 PLUG Cup, 1-1/2"
15	81868411		3 PLUG 1/4" NPT Pipe, 1/4"-18
16	81868410		2 PLUG Pipe, 1/8"-27
17	83957022		AR PLUG Cup, 1.18"
18	86505157		2 DOWEL 1/2" x 1" Pin
18A	81808472		2 DOWEL 3/8" x 1.125"
19	83925618		4 FLANGE BOLT Hex, 3/8" - 16 x 3/4", Gr 5 Reduced, UBS
20	83976853		1 CLIP 12.7mm, Coat, 11.5mm Bolt Hole, J Type
22	81822547		1 GASKET 1.52mm Thk Hydraulic Pump Cover
23	87801933		1 COVER W/Hydraulic Pump Aux. Engine
23	81818845		1 COVER L/Hydraulic Pump Aux. Engine
24	82028130		1 PRESSURE SWITCH Assy. Oil Pressure Sender
25	F2NN6C057AA		1 PLUG HH, 3/8"-18
26	F2NN6C057DA		1 PLUG HH, 3/4"-14 x 3/4"
27	83960218		2 BUSHING 15.16mm ID x 17.21mm OD x 11.2mm L .676" x .44"
28	83956679		1 PLUG Cup, .824

**5610S-4 CYL AG TRACTOR 6610S-4 CYL AG TRACTOR 6810S-4  
CYL AG TRACTOR (MEXICO ONLY) 7610S-4 CYL AG TRACTOR**

NON-EMISSIONIZED ENGINE ASSY., BLOCK & HEAD



Emissionized engines were incorporated in production, for North American models, on and after the following serial numbers; 5610S (308716M), 6610S (359818M) and 7610S (255857M).

## NON-EMISSIONIZED ENGINE ASSY., BLOCK &amp; HEAD

REF FN	PART NUMBER	YR/SN	QTY DESCRIPTION
29	14463881		2 O-RING 1.359" ID x 0.139" Width
30	14463081		1 O-RING 0.859" ID x 0.139" Width
31	87801685		1 SUPPORT Oil Filter Mounting
32	56540S36		4 BOLT Cap, Flg Hd., G5, 3/8"-16 x 1"
33	1 81879134		1 ENGINE OIL FILTER
33	2 86605897		1 ENGINE OIL FILTER
34	E2NN6784AA		1 TUBE 0.377" OD x 4.04" L Oil Indicator
35	87801533		1 DIPSTICK Indicator, Oil
36	82847563		2 CAPTIVE WASHER SCREW Cap, Flg Hd, USR, 3/8"-16 x 2-1/2"
37	C5NE3B681A		1/2 COVER Pump, Power Steering
38	510137		1/2 O-RING 0.139" Thk x 3.234" ID, -236, CI 5, 75 Duro
39	56128S36		2 BOLT Cap, Flg Hd, 5/16"-18 x 2-1/2"
40	83907851		1 FILLER CAP Oil
41	87802503		1 COVER Front Cylinder
42	83959876		1 GASKET 0.89mm Thk Front Cover
43	56126S36		4 BOLT Cap, Flg Hd., 5/16"-18 x 2"
44	82847563		2 CAPTIVE WASHER SCREW Cap, Flg Hd, USR, 3/8"-16 x 2-1/2"
45	81876948		8 BOLT Hex Flg, 3/8 - 16" x 2" Cap, Flg Hd, G5, 3/8"-16 x 2"
46	33771S36		2 NUT HH, 3/8"-16
47	E5NN6C044AA		1 COVER Plate, Front Cover
48	45964S36		4 SCREW Cap, HH, G5, Self-Locking, 5/16"-18 x 3/4"
49	E6NN6C045BA		1 GASKET Front Plate
50	83998292		4 SLEEVE CYLINDER
53	82980221		1 PLATE Rear Cover
54	88434		1 BOLT Hex, 3/8" - 16 x 3/4", Gr 5
55	80680		1 LOCK WASHER 3/8 0.381 CST ZND
56	43392S36		1 SCREW & Washer, 5/16"-18 x .625
57	81804217		1 COVER Flywheel Access
58	E5HN6890AA		1 INSERT
59	2 82926938		3 PLUG Socket Hd, 3/4"-14

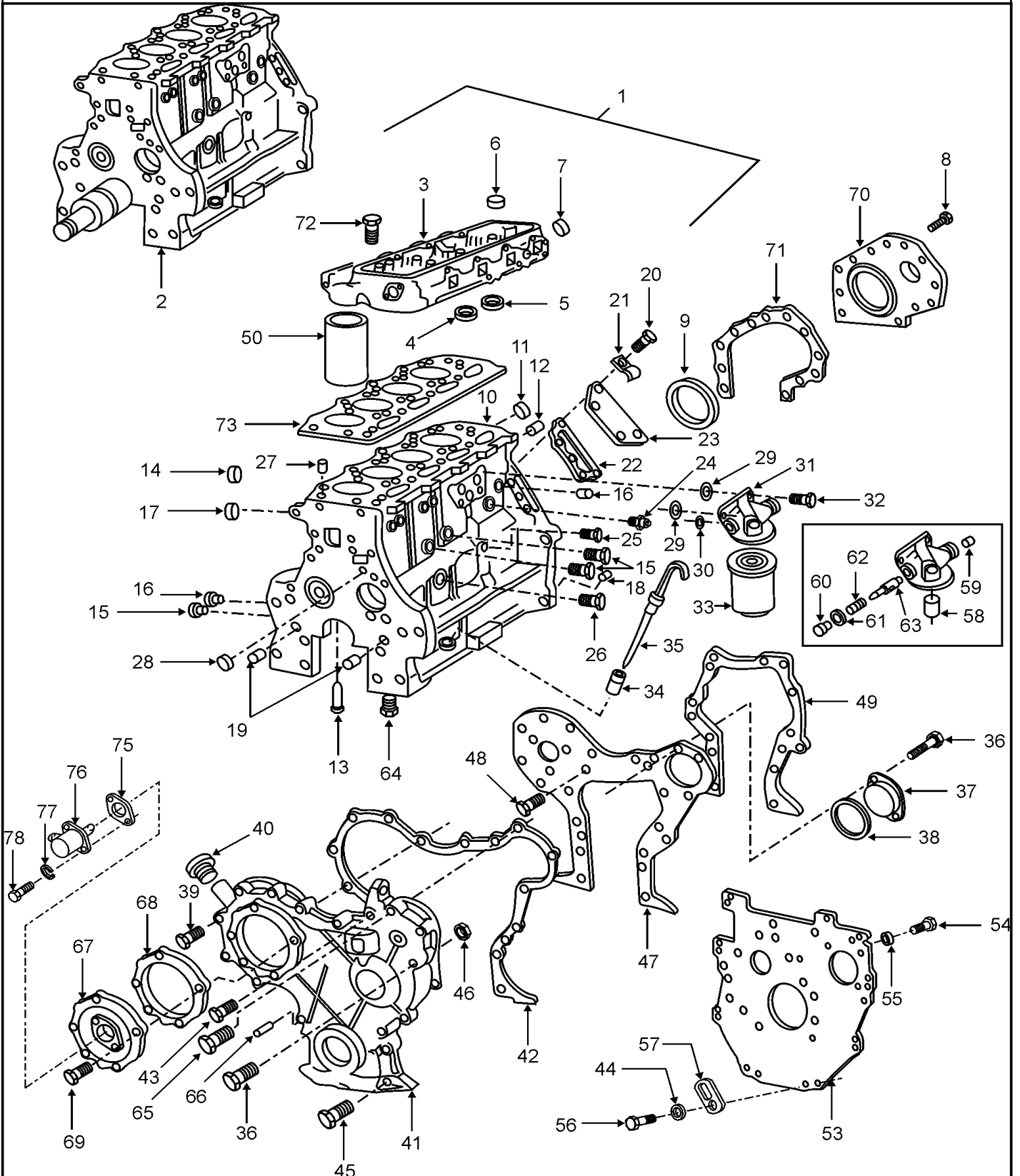
(1) NH-E Only.

(2) NHNA Only.

**5610S-4 CYL AG TRACTOR 6610S-4 CYL AG TRACTOR 6810S-4  
CYL AG TRACTOR (MEXICO ONLY) 7610S-4 CYL AG TRACTOR**



NON-EMISSIONIZED ENGINE ASSY., BLOCK & HEAD



Emissionized engines were incorporated in production, for North American models, on and after the following serial numbers; 5610S (308716M), 6610S (359818M) and 7610S (255857M).

## NON-EMISSIONIZED ENGINE ASSY., BLOCK &amp; HEAD

REF FN	PART NUMBER	YR/SN	QTY DESCRIPTION
60	E0NNF947DA		1 PLUG 1 1/16"-12 SAE
61	167266		1 O-RING 0.116" Thk x 0.924" ID, -912, CI 6, 90 Duro
62	F0NN6670AC		1 SPRING
63	F0NN6A809AA		1 VALVE PRESSURE RELIEF
64	87801692		10 BOLT Cap, Flg Hd., 9/16"-12 x 122mm, Bearing
65	83958605		1 BOLT Flg Hd., G5, 3/8"-16 x 1-1/2"
66	E1TN6023AA		1 POINT Timing
67	F3NN9G524AA		1 COVER PLATE Injection Pump Timing
68	83959395		1 GASKET 1.32mm Thk Timing Cover
69	56520S36		5 FLANGE BOLT Hex, 5/16" - 18 x 3/4", Gr 5
70	87801621		1 PLATE Tachometer Drive
71	81865591		1 GASKET
72	280272		2 HEX SOC SCREW 1/4" - 20 x 3/4"
73	87800517		1 CYLINDER HEAD GASKET 1.6mm Thk Head, Cylinder Head
74	87801151		5 NUT Not shown
75	82850631		1 GASKET Adapter
76	82850632		1 TACHOMETER Assy.
77	83935046		2 LOCK WASHER Helical Spring, 1/4" ID x 0.489" OD x 0.062" Thk
78	83918769		2 HEX SOC SCREW 1/4" - 20 x 3/4", Gr 8 1/4"-20 x 0.75 Socket Hd. Cap.

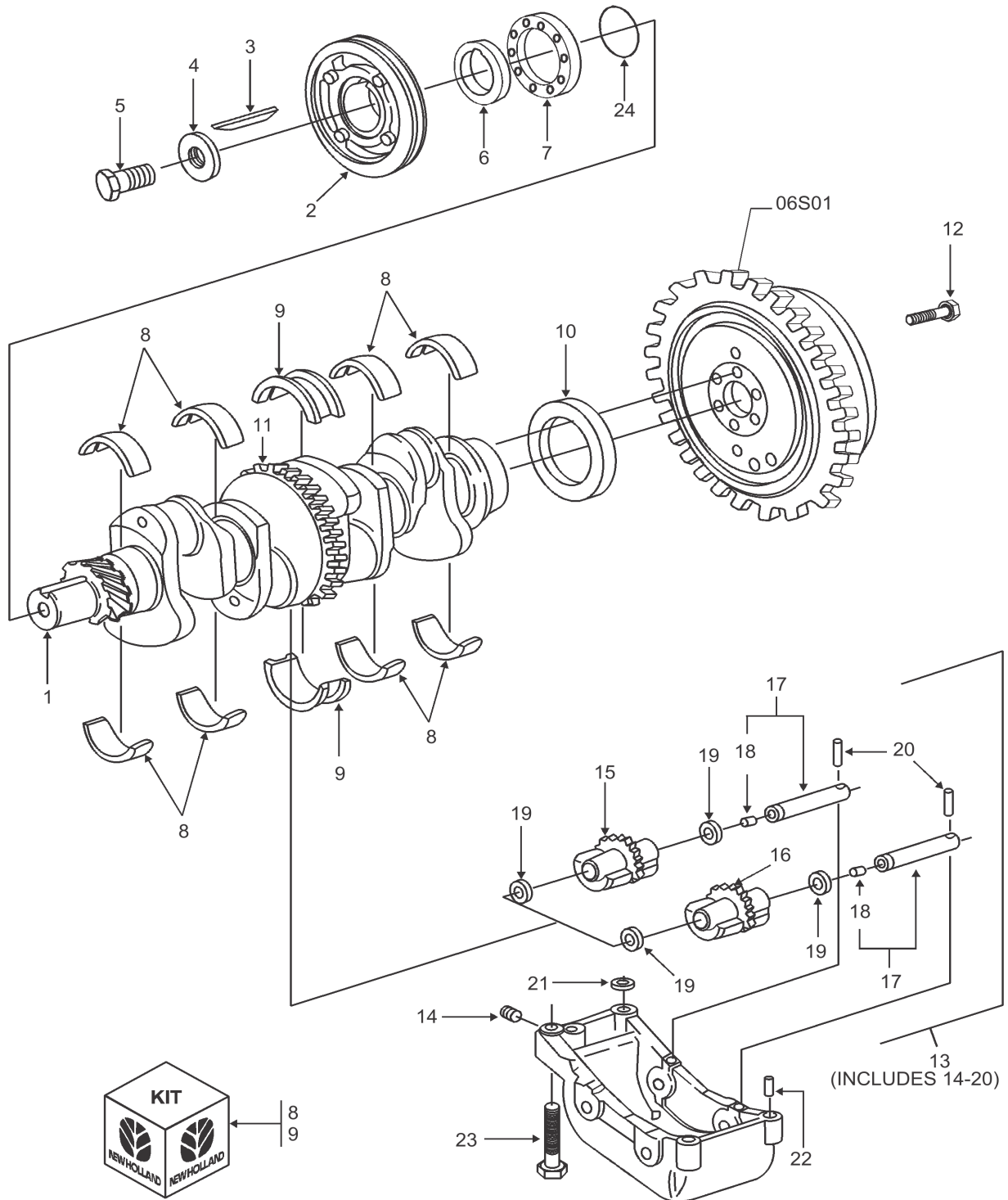
**5610S-4 CYL AG TRACTOR 6610S-4 CYL AG TRACTOR 6810S-4  
CYL AG TRACTOR (MEXICO ONLY) 7610S-4 CYL AG TRACTOR**

06B01

p1

3/2018

NON-EMISSIONIZED ENGINE, CRANKSHAFT & FLYWHEEL



Emissionized engines were incorporated in production, for North American models, on and after the following serial numbers; 5610S (308716M), 6610S (359818M) and 7610S (255857M).

## NON-EMISSIONIZED ENGINE, CRANKSHAFT &amp; FLYWHEEL

REF FN	PART NUMBER	YR/SN	QTY DESCRIPTION
1	83998220		1 CRANKSHAFT Assy, 5610S
1	83998220R		1 REMAN-CRANKSHAFT Assy, 5610S. Reman Crankshaft Does Not Come With Main or Rod Bearings Due to The Selection of Bearing Specific to Tapered Or Straight Connecting Rods. Bearing Will Need To Be Purchased After Reman Crankshaft Has Been Receiver And Journal/Bearing Size Determined.
1	83998220C		1 CORE-CRANKSHAFT Return Number
1	F0NN6300JB		1 CRANKSHAFT Assy, 6610S
1	87800523		1 CRANKSHAFT Assy, 7610S, Turbo
1	87800523R		1 REMAN-CRANKSHAFT 7610S (1/94-), 6810S (MEXICO ONLY), 6610S, 5610S All (12/93-) Reman Crankshaft Does Not Come With Main or Rod Bearings Due to The Selection of Bearing Specific to Tapered Or Straight Connecting Rods. Bearing Will Need To Be Purchased After Reman Crankshaft Has Been Receiver And Journal/Bearing Size Determined.
1	87800523C		1 CORE-CRANKSHAFT Return Number
2	D5NN6A312A		1 PULLEY
2	87802627		1 DAMPER 196.29mm OD 6610S, 7610S
3	F0NN6N300AA		1 KEY
4	83990589		1 WASHER 19.68mm ID x 59.689mm OD x 8.13mm Thk Flat, 3/4"
4	E8NN6A349AA		1 PLATE Damper Stop, 6610S, 7610S
5	82895561		1 BOLT Hex, 3/4" - 16 x 1 3/4", Gr 5 Cap, HH, G5, 3/4"-16 x 1-3/4"
5	304899S2		1 SCREW Cap, HH, G5, 3/4"-16 x 2-1/2", 6610S, 7610S
6	87800706		1 SPACER 44mm ID x 60mm OD x 21mm L
7	87800696		1 SEAL
8	87790260		4 CRANKSHAFT BEARING Liner
8	87790261		AR CRANKSHAFT BEARING Liner, (.002") U/S, Green

**5610S-4 CYL AG TRACTOR 6610S-4 CYL AG TRACTOR 6810S-4  
CYL AG TRACTOR (MEXICO ONLY) 7610S-4 CYL AG TRACTOR**

**Thanks very much for your reading,  
Want to get more information,  
Please click here, Then get the complete  
manual**

**JustClickHere** 

**NOTE:**

**If there is no response to click on the link above,  
please download the PDF document first, and then  
click on it.**

**Have any questions please write to me:  
[admin@servicemanualperfect.com](mailto:admin@servicemanualperfect.com)**